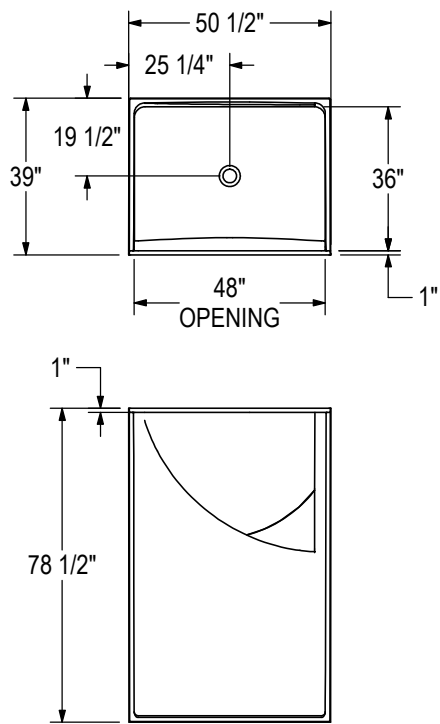
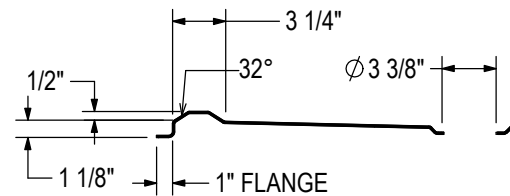


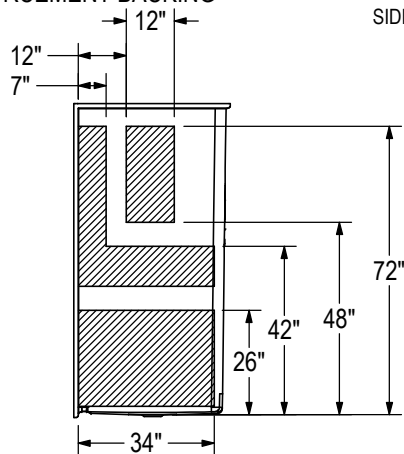
## STANDARD MODEL



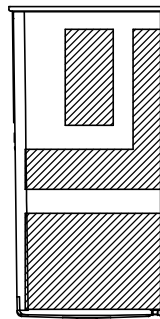
## THRESHOLD DETAIL



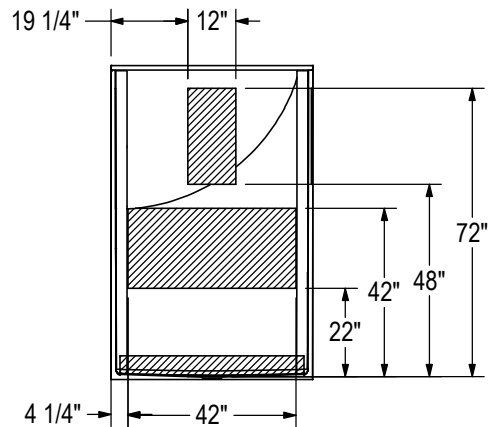
## REINFORCEMENT BACKING



## SIDE WALLS



## BACK WALL



All dimensions are approximate. Structure measurements must be verified against the unit to ensure proper fit.