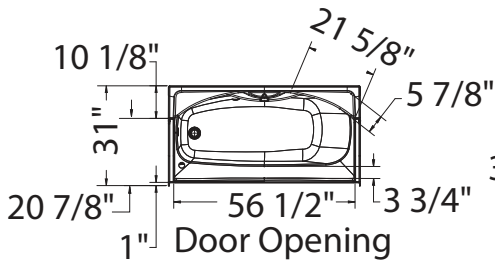
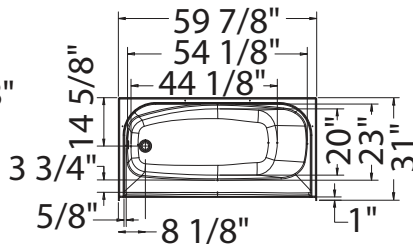


## STANDARD

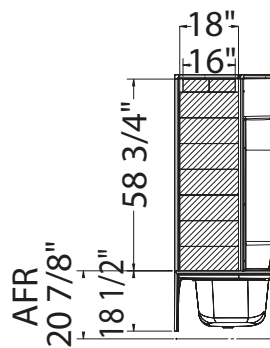


## NO SYSTEM

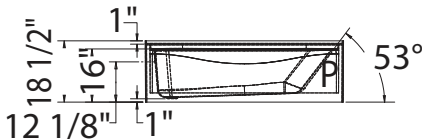


## REINFORCEMENT BACKING

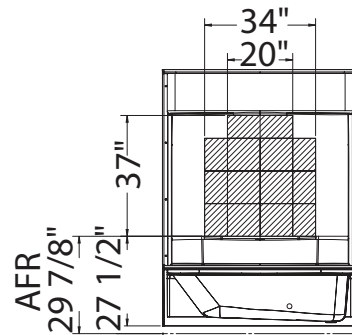
OPTION 20212-L Shown  
OPTION 20212-R Symetrical



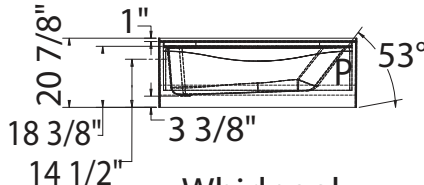
## NOT ABOVE-THE-FLOOR



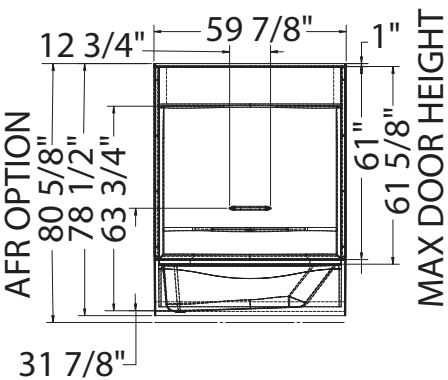
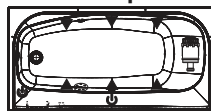
## OPTION 20212-B



## ABOVE-THE-FLOOR

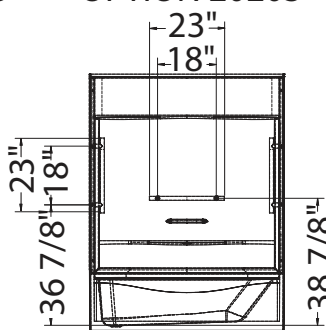


## Whirlpool

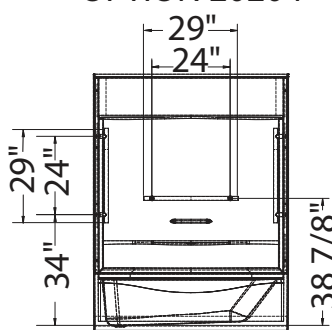


## GRAB BARS

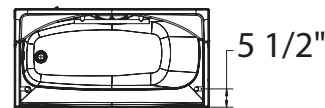
### OPTION 20203



### OPTION 20204



### OPTION 20203-20204



( ▲ ): Indicates Whirlpool jets positioning

( △ ): Indicates suction positioning

All dimensions are approximate. Structure measurements must be verified against the unit to ensure proper fit.