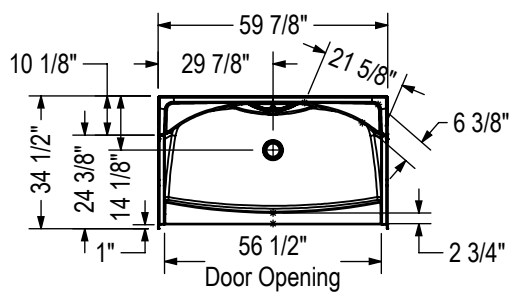
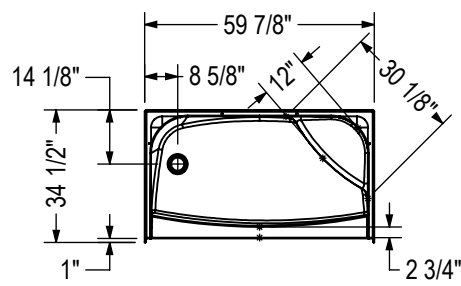


STANDARD

NO SEAT

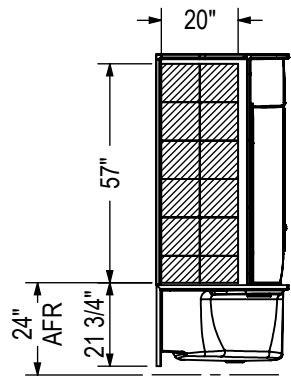


RIGHT SEAT SHOWN
LEFT SEAT SYMMETRICAL

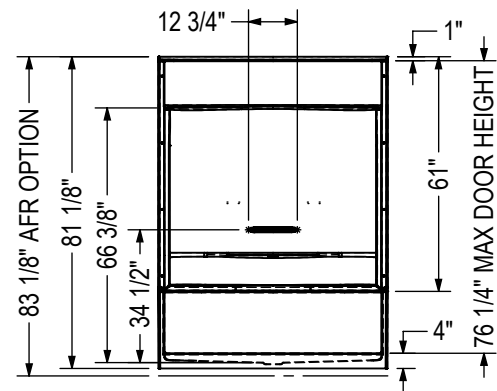
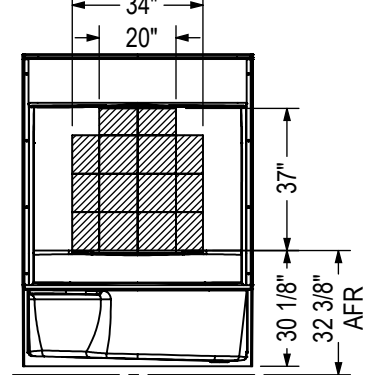


REINFORCEMENT BACKING

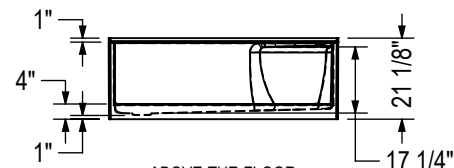
OPTION 20212-L Shown
OPTION 20212-R Symmetrical



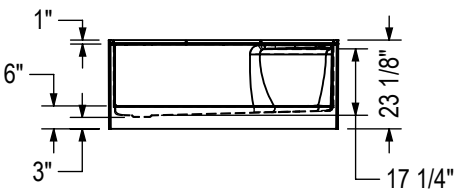
OPTION 20212-B



NOT ABOVE-THE-FLOOR

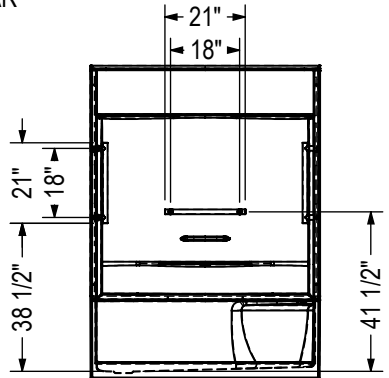


ABOVE-THE-FLOOR

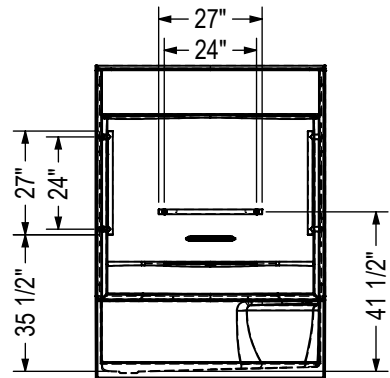


GRAB BAR

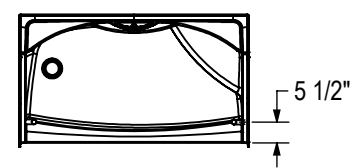
OPTION 20203



OPTION 20204



OPTION 20203-20204



All dimensions are approximate. Structure measurements must be verified against the unit to ensure proper fit.

