

Belfield™ Accessories Technical Specification

Double Robe Hook

YB6403

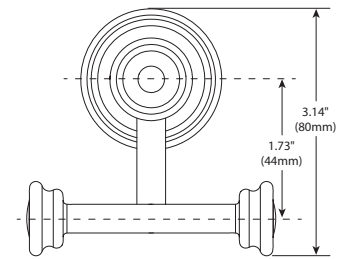
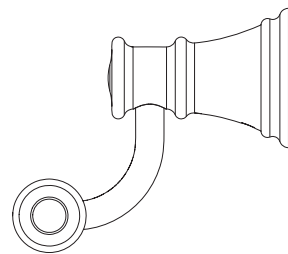
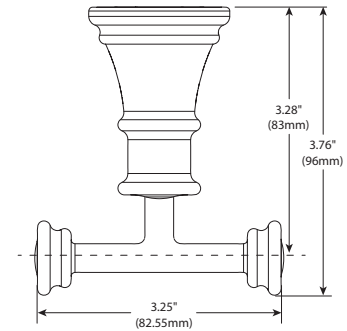
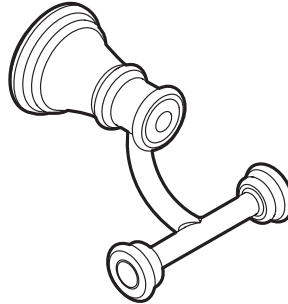
Stock Numbers:

- **YB6403CH – Double Robe Hook**
Chrome Finish

- YB6403BN – Double Robe Hook**
Brushed Nickel Finish

- **YB6403ORB – Double Robe Hook**
Oil Rubbed Bronze

Dimensions:



Materials:

Double Robe Hook is constructed of zinc.

Installation Instructions:

1. Position the mounting plate on the wall at desired location. Large slots to be top and bottom. Small holes to be right and left.
2. One at a time, place each anchor screw through the mounting post, centered in the large slot hole. Using a Phillips screwdriver, turn the anchor screw while applying pressure. Screw will self drill and tap into drywall. Do not over tighten.
3. Place assembly over the mounting post, set screw facing down.
4. Tighten set screw.

Cleaning Instructions:

To preserve the fine finish of this product, clean only with a soft damp cloth. Dry well. Do not use commercial or abrasive cleaners.

Stock Number: _____ **Double Robe Hook**
By Moen Incorporated

 **MOEN**
Buy it for looks. Buy it for life.®

25300 AL MOEN DRIVE • NORTH OLMSTED, OH 44070
CORPORATE HEADQUARTERS: (800) 321-8809 • FAX: (800) 848-6636
INTERNATIONAL: (440) 962-2000 • FAX: (440) 962-2726
CUSTOMER SERVICE (USA): 800-882-0116 • FAX: (888) 379-2720
WWW.MOEN.COM
© Copyright Moen Incorporated