



Features

- Alcove installation
- 18" apron
- Vikrell material
- Left drain
- Tongue-and-groove walls with snap-together installation
- Tile look
- Some caulk required
- Corner shelves
- Aging in Place backerboards

Included Components

Product consists of:

- 71124106 60" x 32" Wall Set w/Backer Boards
- 71121110 32" (813 mm) Bath



Codes/Standards



- CSA B45.5/IAPMO Z124
- ASTM E162
- ASTM E662
- Greenguard UL 2818 - Gold
- HUD, UM Bulletin 73

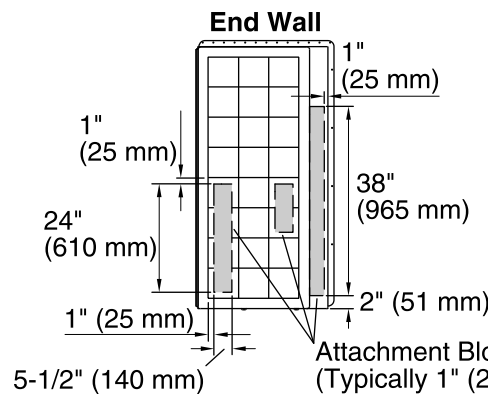
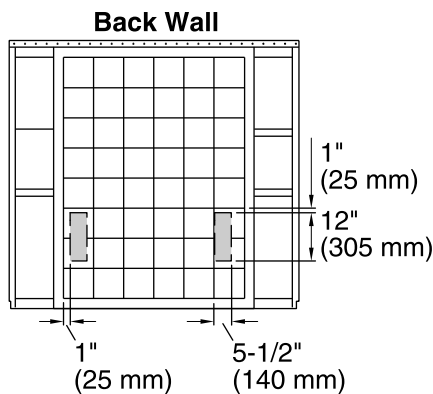
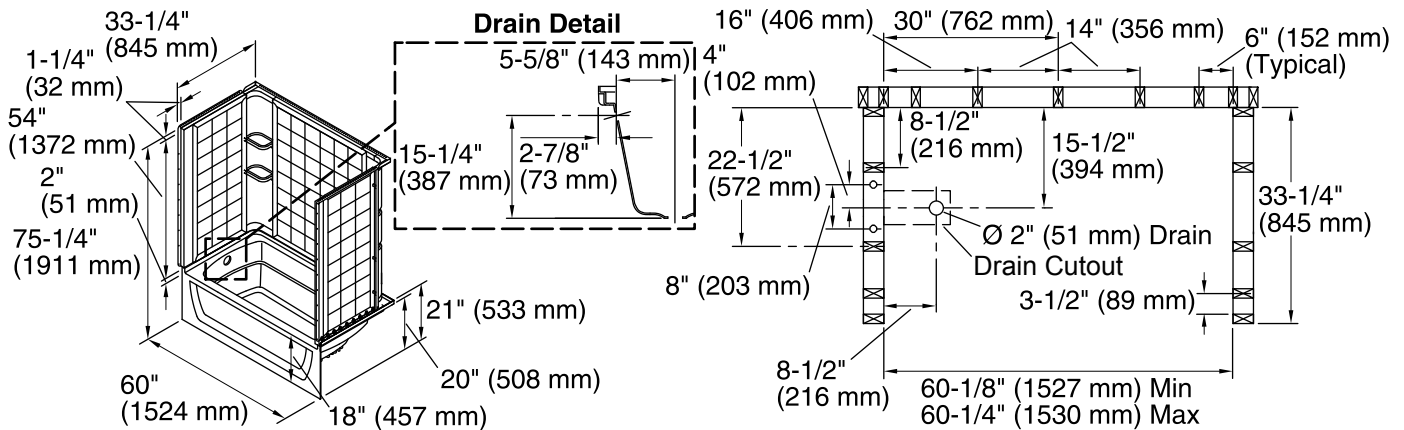
Warranty – Bathing Fixtures (and) Kitchen and Utility Sinks Made of Solid Vikrell® Material

See website for detailed warranty information.

Available Colors/Finishes

Color tiles intended for reference only.

Color	Code	Description
	0	White
	96	KOHLER Biscuit



Note: Right and left end walls are the same, only mirrored.

Backer board locations
Dimensions Taken From Center of Grout Lines

Attachment Block Locations
(Typically 1" (25 mm) Inside Grout Lines)

Technical Information

All product dimensions are nominal.

Installation: Three-wall alcove

Drain location: Left

Basin area, bottom: 42" x 20" (1067 mm x 508 mm)

Basin area, top: 54" x 26" (1372 mm x 660 mm)

Water depth: 13-3/4" (349 mm)

Water capacity: 55 gal (208.2 L)

Minimum flat for door: 3" (76 mm)

Maximum door height: 55-1/2" (1410 mm)

Maximum door width: 57-11/16" (1465 mm)

Notes

Install this product according to the installation instructions.

Studs should be positioned as shown.

Double studding is recommended for pivot shower door installations.

Attach grab bars at the specified backerboard locations only.